



DATASHEET

# W4N

Wi-Fi router N300



2,4 GHz  
300 Mbps



Android  
App



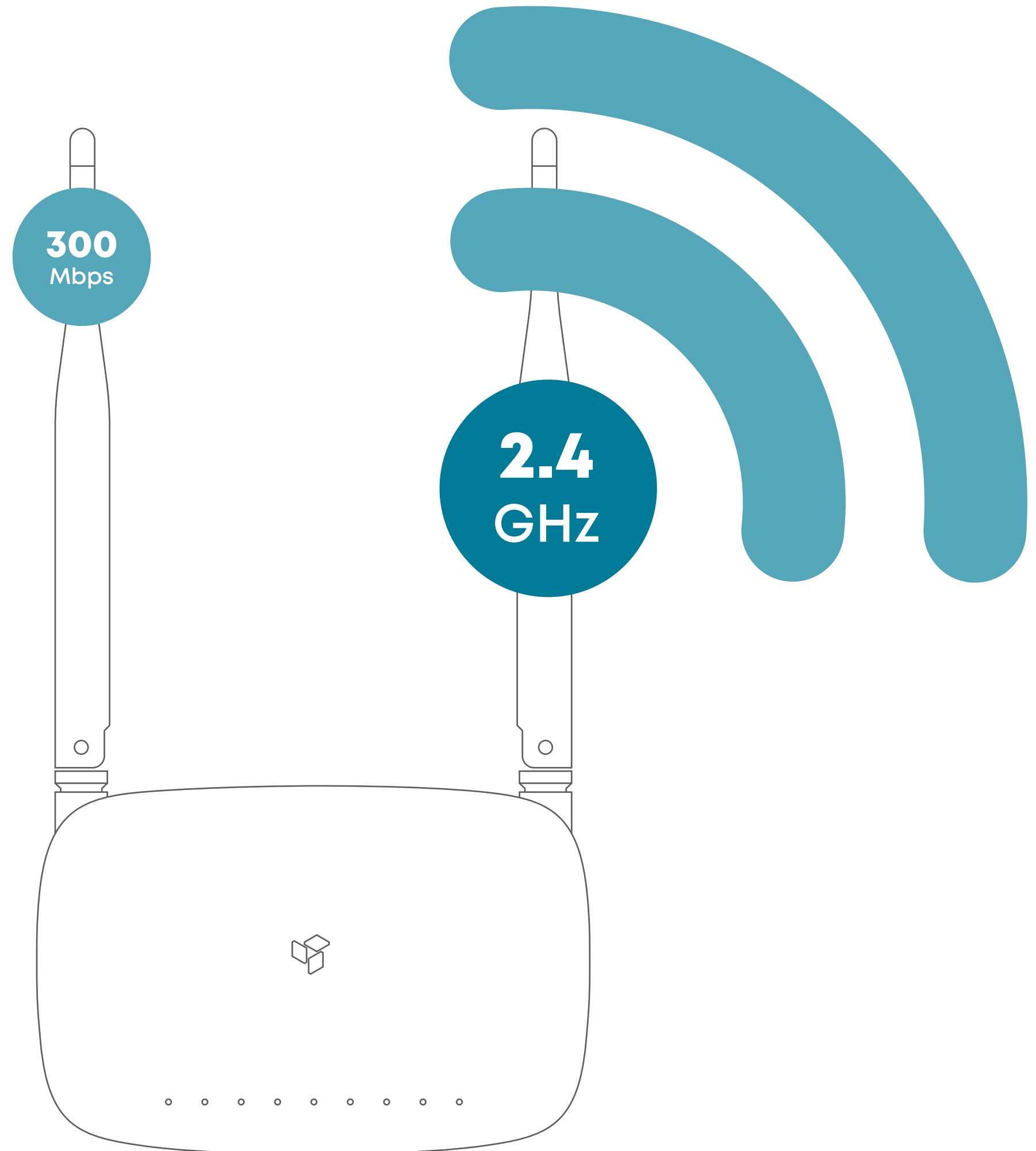
IPTV





## ABOUT THE PRODUCT

SNR-CPE-W4N (rev.N) supports IEEE 802.11 b/g/n wireless data transmission standard (Wi-Fi 4) and MIMO 2x2 technology, which allows you to provide a channel rate of wireless connection up to 300 Mbps. The WAN and LAN ports support speeds up to 100 Mbps





## PECULIARITIES

### EASYCUSTOM

Self-configuration service without Building a firmware image. Allows you to change the standard default configuration, web interface design interface and user access rights.

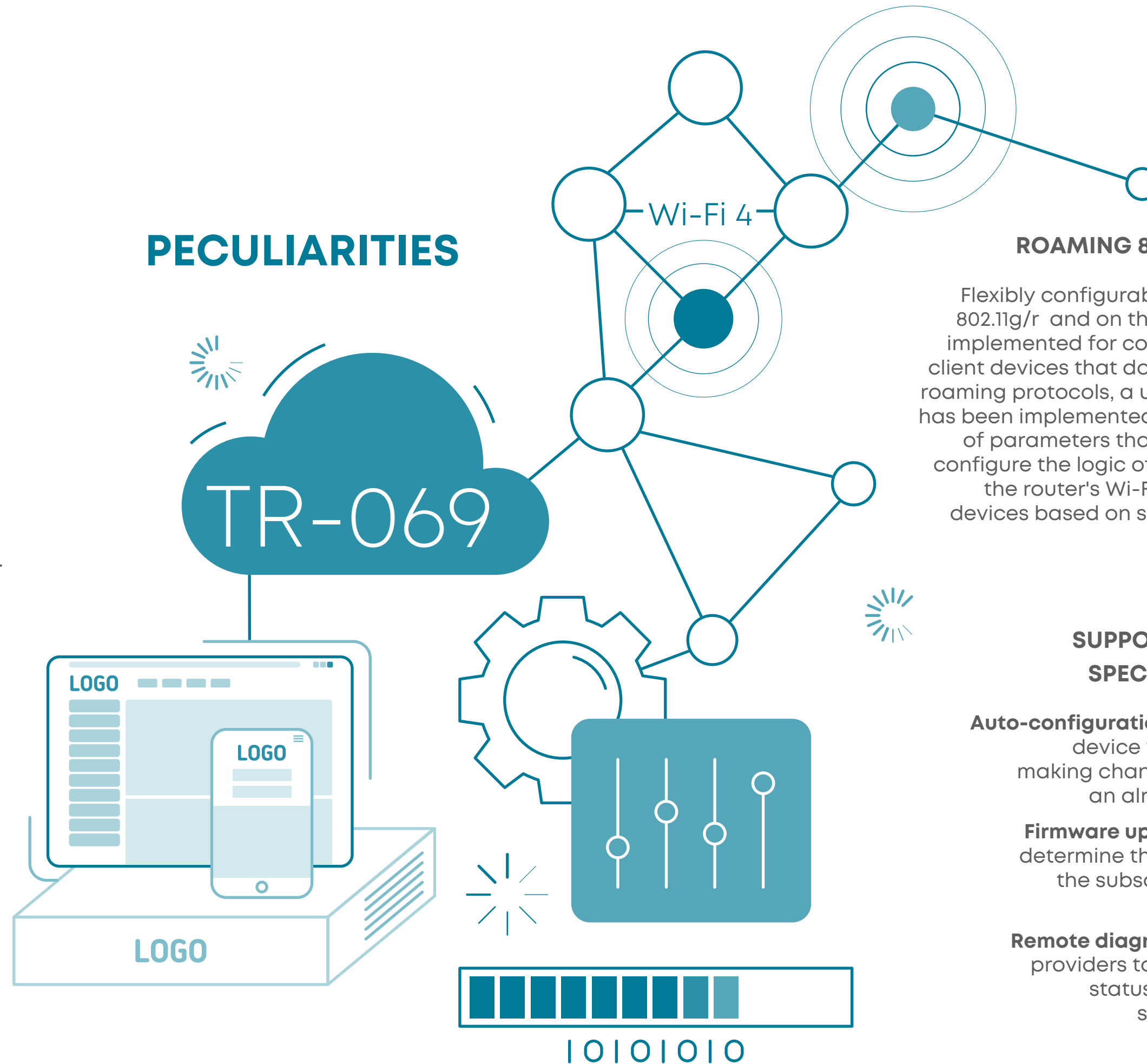
### INDIVIDUAL APPROACH

**Branded packaging design** when ordering from 5000 pcs.

**Placement of the customer's logo** and customization of the router's WEB interface.

**Regular updates of the customized** version of the software in parallel with the main branch.

**Version control and whitelists of** available software when updating via the WEB interface.



### ROAMING 802.11K/R/HANDOFF

Flexibly configurable roaming based on 802.11g/r and on the Handoff principle is implemented for corporate networks. For client devices that do not support 802.11k/r roaming protocols, a universal Handoff tool has been implemented with a large number of parameters that allow you to flexibly configure the logic of interaction between the router's Wi-Fi interface with client devices based on signal strength values.

### SUPPORT FOR THE TR-069 SPECIFICATION (CWMP)

**Auto-configuration.** Initial setup of the device when it is loaded and making changes to the settings of an already working device.

**Firmware update.** TR-069 helps to determine the firmware version of the subscriber equipment and update its firmware.

**Remote diagnostics.** TR-069 allows providers to monitor the network status and performance of subscriber equipment.



## TECHNICAL SPECIFICATION

### HARDWARE PART

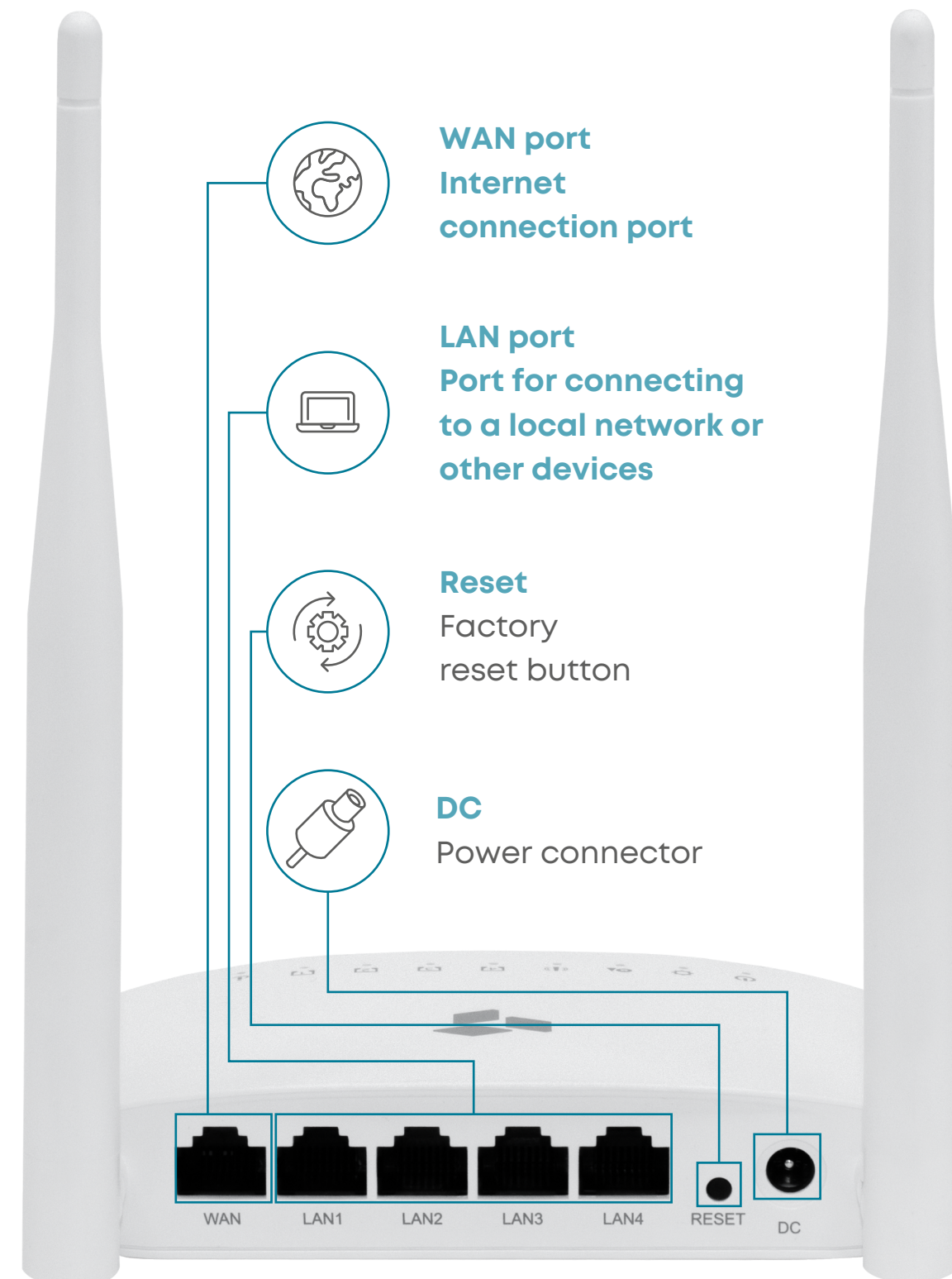
Ethernet interfaces:	1 WAN port 10/100 Mbit/s(RJ45), 4 LAN ports 10/100 Mbit/s (RJ45)
Buttons:	Reset
Antennas:	2x5dBi, omnidirectional
Volume RAM:	64MB
Volume Flash:	16MB

### WIRELESS PART

Wireless interface:	IEEE 802.11b/g/n, 2T2R, 2401-2483,5 MHz
EIRP:	2.4GHz - 20dBm
Type of modulation:	OFDM/CCK/16-QAM/64-QAM

### OTHER

Certifications:	CE, RoHS, EAC
Sizes:	173x118x17.5mm
Gross weight:	386,3 gr
Net weight:	137,3 gr
Power supply:	Input: 100-240BAC/50-60Hz, output: 12BDC, 1A
Operating temperature:	0°C~40°C
Storage temperature:	-40°C~70°C
Relative humidity:	10% ~ 90%, non-condensing
Storage humidity:	5%~95%, non-condensing



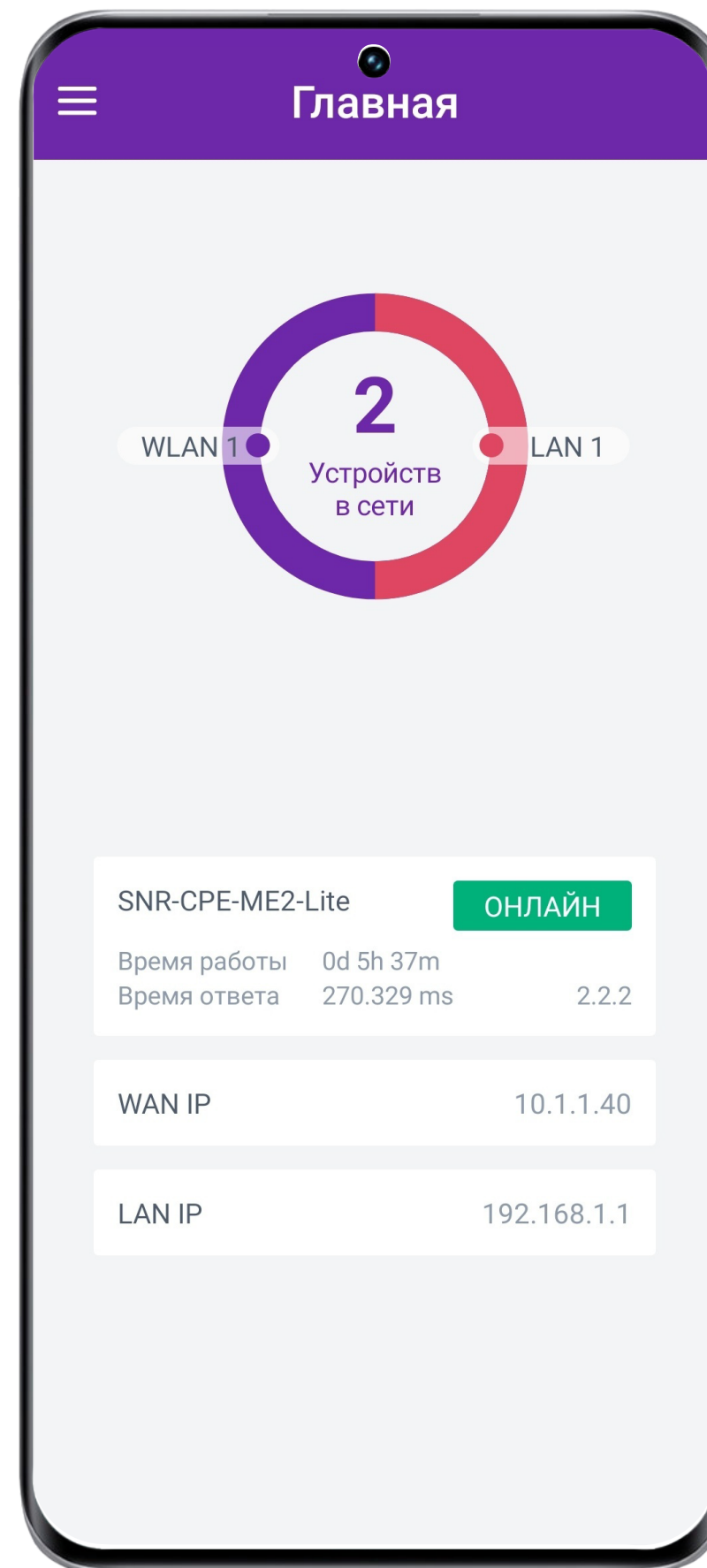


## SNR-CPE CONFIG APP

The application makes the process of setting up and maintaining your SNR-CPE wireless router much easier and more convenient.

Benefits of using the SNR-CPE Config app:

- Configuring router functions from a mobile device;
- Ability to save the connection, to manage multiple routers from one device;
- Ease of management.





## SOFTWARE

SNR-CPE-W4N (rev.N) comes with the new **EasyWRT** software

EasyWRT features:

- Management: Web/SSH/TR-069(CWMP)
- Diagnostic tools for quickly finding and troubleshooting problems
- Functionality of guest networks via MBSSID with the ability to set access restrictions for connecting clients by time



[More](#)



[Knowledge base](#)



[Demo-interface](#)





## CONTENT BOX

1. Wi-Fi router;
2. Power supply;
3. RJ45 patch cord 1m;
4. User manual.

